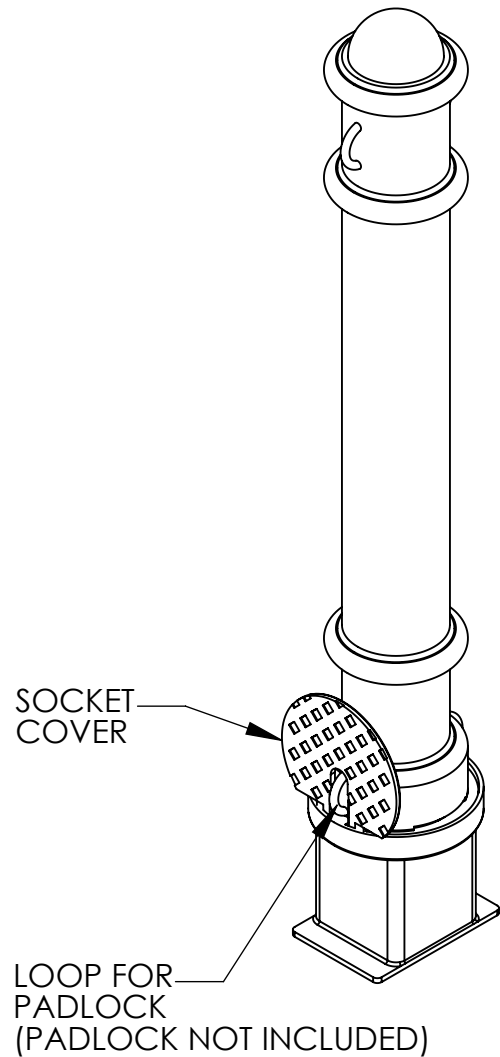
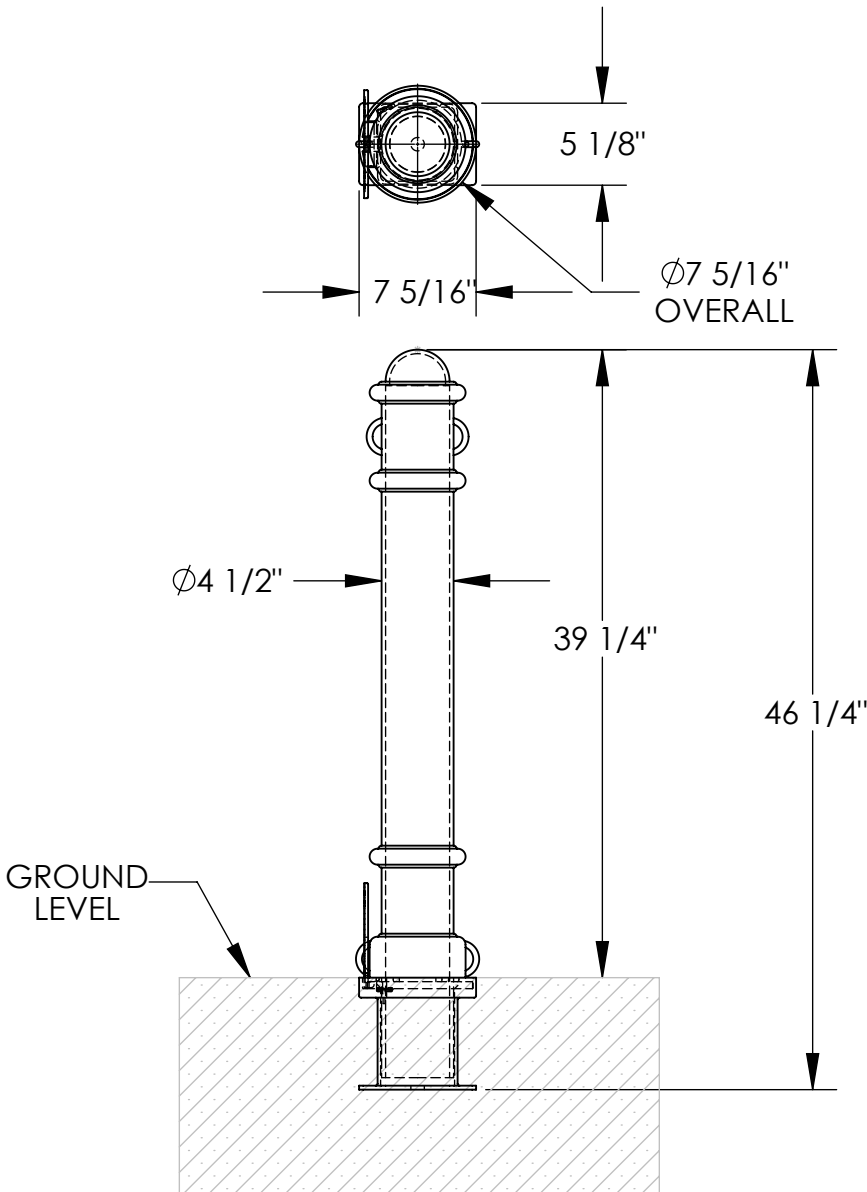


ORNAMENTAL STEEL BOLLARD, BOL-OR-40-BK



ANY ADDITIONS, DELETIONS, OR OMISSIONS MUST BE CORRECTED ON THIS DRAWING AS THIS DRAWING WILL BE CONSIDERED ALL INCLUSIVE

ALL GRAPHICS PROVIDED ARE FOR REFERENCE ONLY. IF CERTAIN DIMENSIONS ARE CRITICAL PLEASE VERIFY THOSE DIMENSIONS WITH YOUR SALESPERSON

ALL SPECIAL UNITS ARE NON-RETURNABLE

APPROXIMATE WEIGHT IS: 68.19 lbs.

STANDARD FEATURES

MODEL NUMBER IS BOL-OR-40-BK
 BOLLARD DIAMETER IS $4 \frac{1}{2}$ "
 USABLE BOLLARD HEIGHT IS $39 \frac{1}{4}$ "
 OVERALL HEIGHT IS $46 \frac{1}{4}$ "
 BOLLARD COLOR = BLACK
 SOCKET COLOR = GALVANIZED

SPECIAL FEATURES

NONE

| | | |
|----------|--|------------------------------------|
| APPROVAL | I, the undersigned, hereby approve this print. This includes my approval of design & dimensions | |
| | <input type="checkbox"/> As drawn | <input type="checkbox"/> As marked |
| | Signed: _____ Date: _____ | |
| | LEAD TIME WILL START UPON RECEIPT OF SIGNED APPROVAL DRAWING | |

| | | |
|--|--------------|--------------------------|
| DISTRIBUTOR'S NAME: VESTIL MANUFACTURING | | P.O.# X |
| DRAWN BY: SR | | W.O.# X |
| DATE: 8-8-07 | SCALE: 1:12 | SALES: X |
| REFERENCE: X | QUOTE # X | FILE NAME: 23-007-233 |